



RTW14E

Rolling Tortilla & Flatbread Warmer

☐ RTW14E



Model RTW14E

STANDARD FEATURES

- Heats tortillas, flat breads and pitas bread products to a target temperature of 160°F with constant heat, variable speed rotating drum and radiant elements
- Produces up to (24) 6-inch tortillas, (10) 12-inch flour tortillas per minute
- No ventilation hood required
- Easy to use electronic control with adjustable speed and temperature settings and built-in diagnostic functions
- Exclusive StalTek™ coated drum eliminates sticking and makes clean up quick and simple. No aggressive chemicals needed.
- Counter top unit with 4" legs is standard
- Infeed slide and discharge catch shelf included, removable for easy cleaning
- Stainless steel exterior
- PATENTS PENDING

SPECIFICATION

Heats tortillas, flat breads and pitas bread products to a target temperature of 160°F with constant heat, variable speed rotating drum and radiant elements. Produces up to (24) 6-inch tortillas, (10) 12-inch flour tortillas per minute. No ventilation hood required. Easy to use electronic control with adjustable speed and temperature settings and built-in diagnostic functions. Exclusive StalTek™ coated drum eliminates sticking and makes clean up quick and simple. Counter top unit with 4" legs is standard. Infeed slide and discharge catch shelf included, removable for easy cleaning. Stainless steel exterior.

PATENTS PENDING

NOTE: Specifications are subject to change without notice and are not intended for installation purposes. See installation instructions prior to installing the unit.

OPTIONS & ACCESSORIES

PRODUCT WARRANTY

- One-year Parts & Labor

CERTIFICATIONS

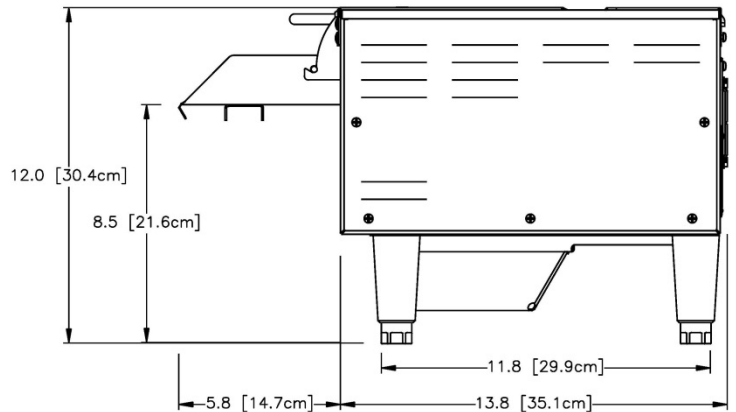
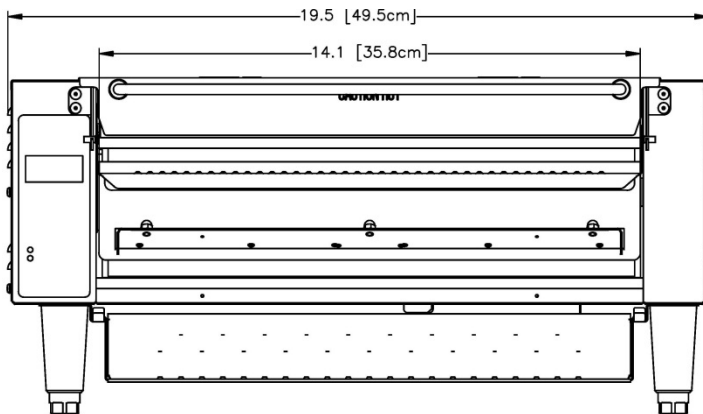
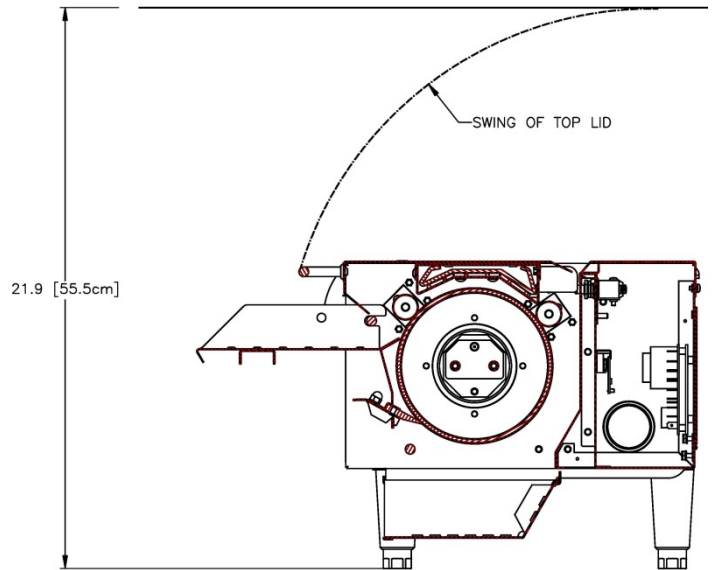
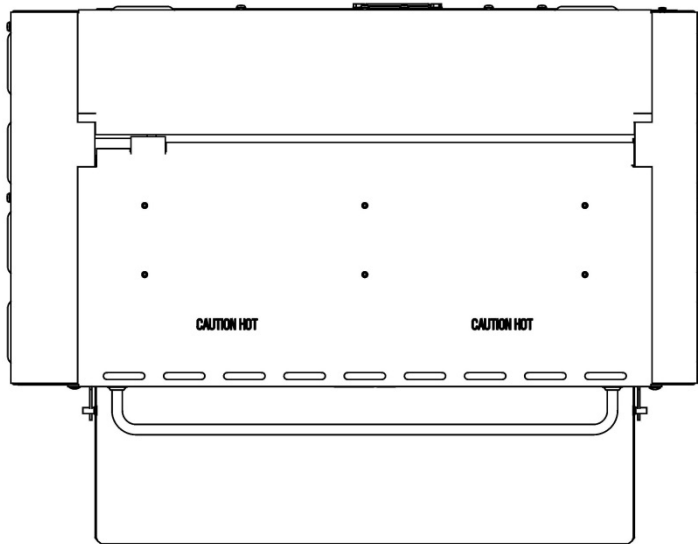




RTW14E

Rolling Tortilla & Flatbread Warmer

☐ RTW14E



TECHNICAL SPECIFICATIONS

MODEL	WIDTH (in)	DEPTH (in)	HEIGHT (in) ¹	VOLTS	WATTS	PLUG	SHIP WT (lb)	INSTALL WT. (lb)
RTW14E-120	19.50	19.60	12.00	120	1206	5-15P	62	53

1 – Height includes 4-inch legs

